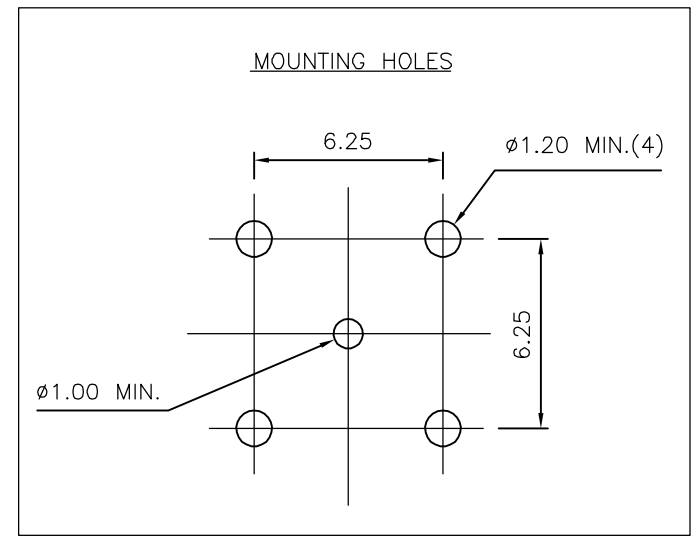
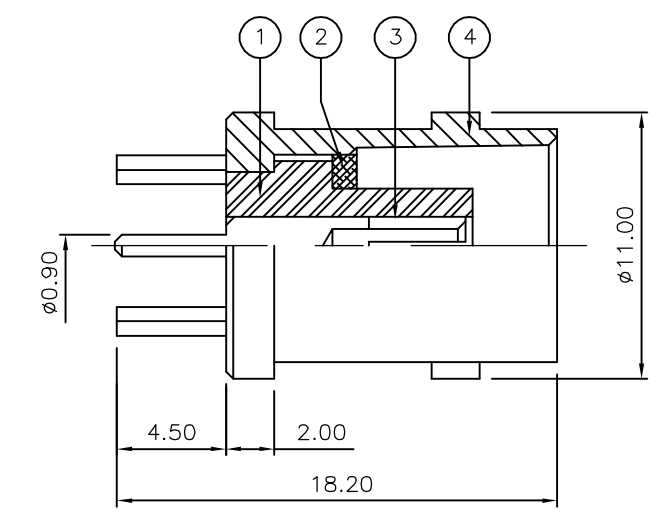
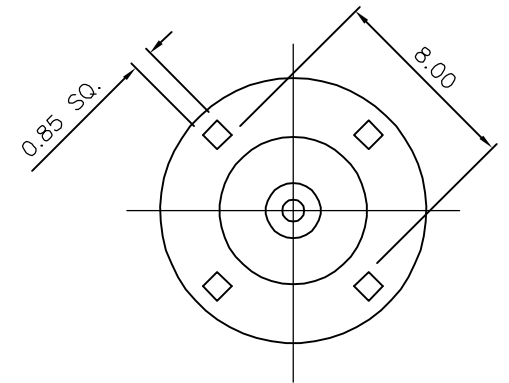


THIS DRAWING IS UNPUBLISHED. RELEASED FOR PUBLICATION AUGUST ,2006.  
 © COPYRIGHT 2006 BY TYCO ELECTRONICS CORPORATION. ALL RIGHTS RESERVED.

LOC	DIST	REVISIONS			
P	LTR	DESCRIPTION	DATE	DWN	APVD
E	B	B	ECR-06-018891	04AUG06	JMS FWK

- NOTES:**
- 1 PACK IN ACCORDANCE WITH AMP SPEC 107-3275
  - 2 100 TRAY PACK IN ACCORDANCE WITH AMP SPEC 107-3275
  - 3 Ag PLATING
  - 4 ELECTRICAL CHARACTERISTICS  
 FREQUENCY RANGE: DC - 4 GHz  
 NOMINAL IMPEDANCE: 50 Ohm  
 INSULATION RESISTANCE: 5000 MOhm  
 WORKING VOLTAGE: 500 Volts RMS at Sea Level  
 DIELECTRIC WITHSTAND VOLTAGE: 1500 Volts RMS Max  
 CONTACT RESISTANCE:  
 CENTRE CONTACT: 1.50 mOhm Max  
 OUTER CONTACT: 0.20 mOhm Max  
 VSWR @ xGHz: N/A  
 INSERTION LOSS xdb: N/A
  - 5 MECHANICAL CHARATERISTICS  
 COUPLING RETENTION FORCE: N/A  
 CABLE RETENETION FORCE: N/A  
 DURABILITY: 500 Cycles Min
  - 6 ENVIRONMENTAL CHARACTERISTICS  
 OPERATING TEMPERATURE: -65 to +165 DegC
  - 7 FOR TECHNICAL DATA REFER TO YOUR LOCAL TYCO ELECTRONICS SALES OFFICE
  - 8 ALL DIMENSIONS ARE NOMINAL FOR REFERENCE ONLY UNLESS OTHERWISE STATED



QTY	PLC	DESCRIPTION	ITEM
1	1	BRASS	3 BODY
1	1	BRASS	3 CONTACT
1	1	BRASS	3 SLEEVE
1	1	PTFE	1 INSULATION
6--0	1--0	MATERIAL	DESCRIPTION
QUANTITY PER ASSY		PARTS LIST	

THIS DRAWING IS A CONTROLLED DOCUMENT.		DWN J.SANDWELL 04AUG06	Tyco Electronics Corporation Bideford EX39 4HE	
DIMENSIONS: mm		CHK S.PARLOW 04AUG06	NAME BNC STRAIGHT PCB SOCKET 50 OHM	
		APVD F.WHEELER-KING 04AUG06	SIZE A3	
MATERIAL SEE TABLE		PRODUCT SPEC -	CAGE CODE 00779	DRAWING NO C-1478204
FINISH -		APPLICATION SPEC -	RESTRICTED TO -	SCALE NTS
CUSTOMER DRAWING			SHEET 1 OF 1	REV B